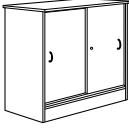

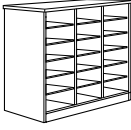

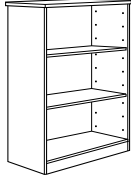
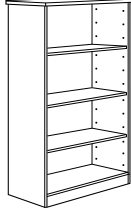
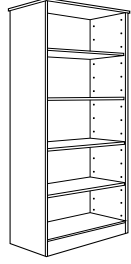

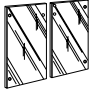
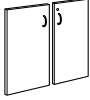





MODULAR SYSTEM CABINET

Dimension : W. x D. x H.

Sliding Door Cabinet	Suspension Filing Cabinet	Pigeon Hole Cabinet	Low Cabinet	Medium Height Cabinet	Open Shelf Cabinet	High Cabinet
						
640 804 x 456 x 873 mm 31½ x 18 x 34½ inch.	614 804 x 456 x 873 mm 31½ x 18 x 34½ inch.	838 804 x 456 x 873 mm 31½ x 18 x 34½ inch.	836 804 x 456 x 873 mm 31½ x 18 x 34½ inch.	848 804 x 456 x 1300 mm 31½ x 18 x 51¼ inch.	863 804 x 456 x 1638 mm 31½ x 18 x 64½ inch.	631 804 x 456 x 2065 mm 31½ x 18 x 81¼ inch.

Cabinet Shelf	Glass Door (for low cabinet)	Low Cabinet Door	Glass Door (for medium high cabinet)	Medium Height Cabinet Door	High Cabinet Door
					
324 763 x 390 x 18 mm 30 x 15½ x ¾ inch.	G30 797 x 762 x 5 mm 31⅞ x 30 x ⅞ inch.	P30 797 x 762 x 18 mm 31⅞ x 30 x ¾ inch.	G46 797 x 1189 x 5 mm 31⅞ x 46¾ x ⅜ inch.	P46 797 x 1189 x 18 mm 31⅞ x 46¾ x ¾ inch.	P77 797 x 1956 x 18 mm 31⅞ x 77 x ¾ inch.

— ARTAK DESIGN — *The Changing World Of Work* — *Building A Reputation for Quality*